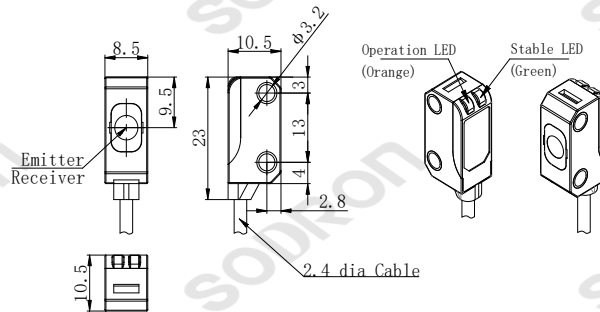




Dimensions



Model

- PF22-T03BNO(E)
- PF22-T03BNC(E)
- PF22-T03BPO(E)
- PF22-T03BPC(E)

Technical parameters

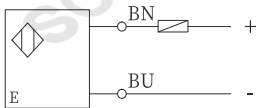
Detection method	Through-beam Type		
Model	NPN	PF22-T03BNO(E)	PF22-T03BNC(E)
	PNP	PF22-T03BPO(E)	PF22-T03BPC(E)
Detection distance	3m		
Standard detection object	Φ10mm (Opaque object)		
Output method	Dark-ON		Light-ON
Light source	850 nm infrared light		
Power supply voltage	DC 12 ~ 24V ±10% , impulse (P-P) < 10%		
Beam angle	3~15°		
Residual voltage	< 1V(Load Current ≤ 50mA)		
Current consumption	< 10mA		
Load current	≤ 50mA		
Circuit protection	Reverse Polarity Protection, Short Circuit Protection		
Response time	< 1ms		
Indicator light	Output LED: Orange LED、Power/stable: Green LED		
Connection method	Cable 2m		
Ambient temperature	Work: -25 ~ +55°C; Store: -40 ~ +70°C(No dew condensation or icing allowed)		
Ambient humidity	Work: 35 ~ 85%RH, Store: 35 ~ 95%RH (No dew condensation)		
Ambient illumination	Sunlight: 10,000Lx lamplight: 3,000Lx		
Vibration resistance	10~55Hz double-amplitude 1.5mmX,Y,Z 2h		
Withstand voltage	1000 VAC, 50/60 Hz, 1 min.		
Insulation resistance	> 20MΩ (DC500V megger) between current-carrying parts and case		
Shock resistance	500m/s² X,Y,Z , directions for 3 times		
Protection class	IEC IP65		
Material	Case	ABS	
	Lens	PC	

Product features

- Through-beam Type, Infrared Light 850nm
- Compact Built-in Amplifier Type
- IEC IP65

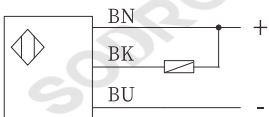
Connection

Emitter



Receiver

NPN



PNP

